



inan makina®
SANAYİ VE TİCARET A.Ş.



DEMOLITION CRUSHER MODEL

DCR 20



MTB DEMOLITION ATTACHMENTS

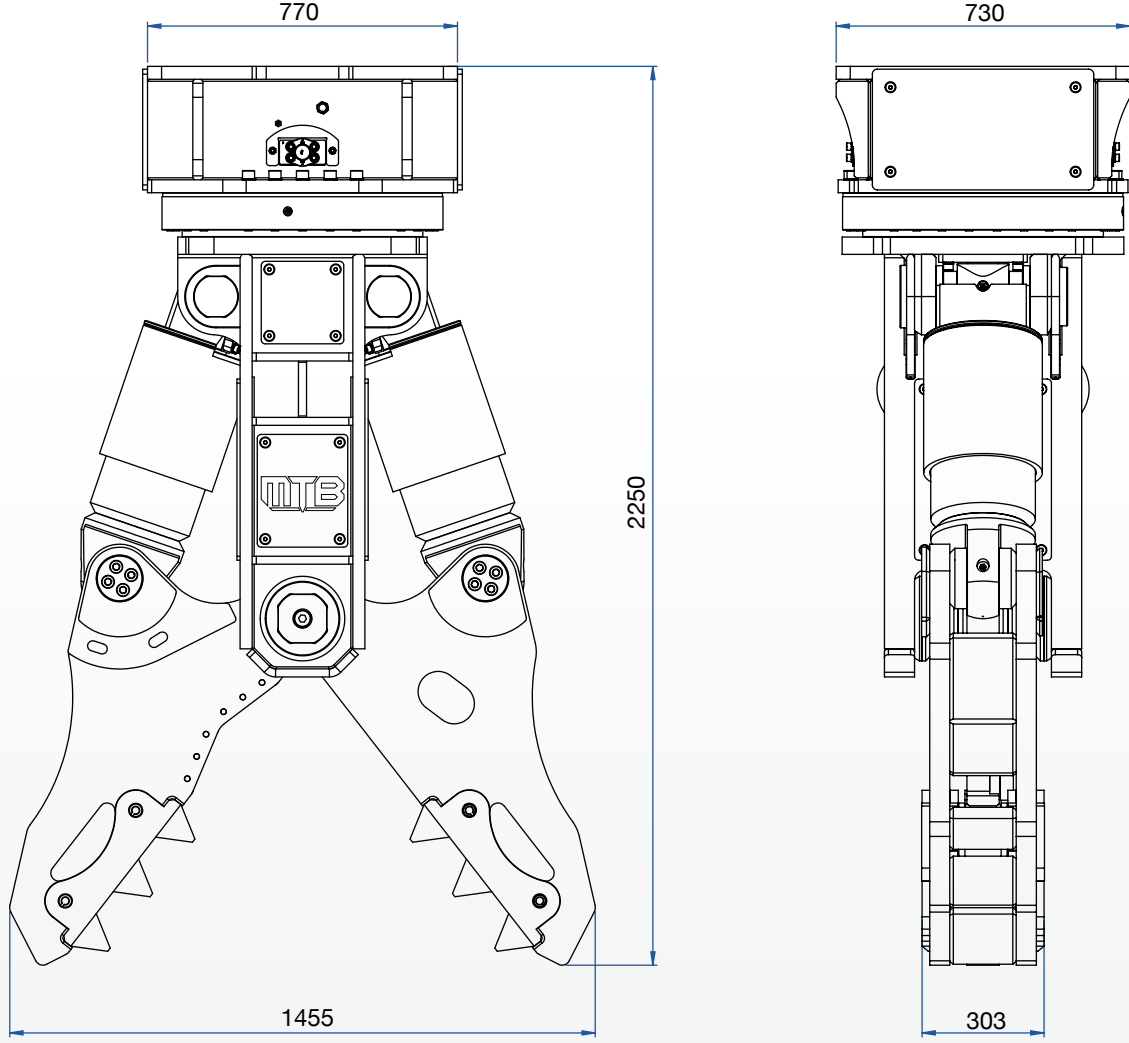
MTB Demolition Attachments are used for primary and secondary concrete demolition. There is a wide range of MTB Attachments for different demolition applications.

DEMOLITION CRUSHER - DCR

The jaw design is combination of crusher and pulverizer. It is useful for primary demolition of weak concrete structures and secondary demolition. The jaws can do crushing and pulverizing applications. Behind the jaws, there are steel blades to cut the steel bars inside of the concrete.



TECHNICAL INFORMATION



DCR 20

Working weight	kg	2100 - 2500
Oil flow (Cylinder)	lpm	200 - 250
Pressure (Cylinder)	bar	350
Oil flow (Rotation)	lpm	25 - 50
Pressure (Rotation)	bar	150 - 160
Crushing force (Jaw tip)	t	105
Cutting force	t	315
Jaw opening	mm	955
Jaw depth	mm	920
Cutter length	mm	2 x 180
Overall length	mm	2250
Carrier weight	t	28 - 50

Rev. 050722



Factory

Bahçelievler OSB Mh. 11. Cd. No: 4A
59510 Kapaklı / Tekirdağ - TURKEY
+90 282 768 25 00

www.mtbbreakers.com - info@inanmakina.com



WARNING! The visuals and the information in this brochure are standard or optional depending on the version of the product.

İNAN MAKİNA A.Ş. saves the right to modify the values and designs shown in this brochure without notice.