



inan makina®
SANAYİ VE TİCARET A.Ş.



CRUSHER MODEL

CRS 20



MTB DEMOLITION ATTACHMENTS

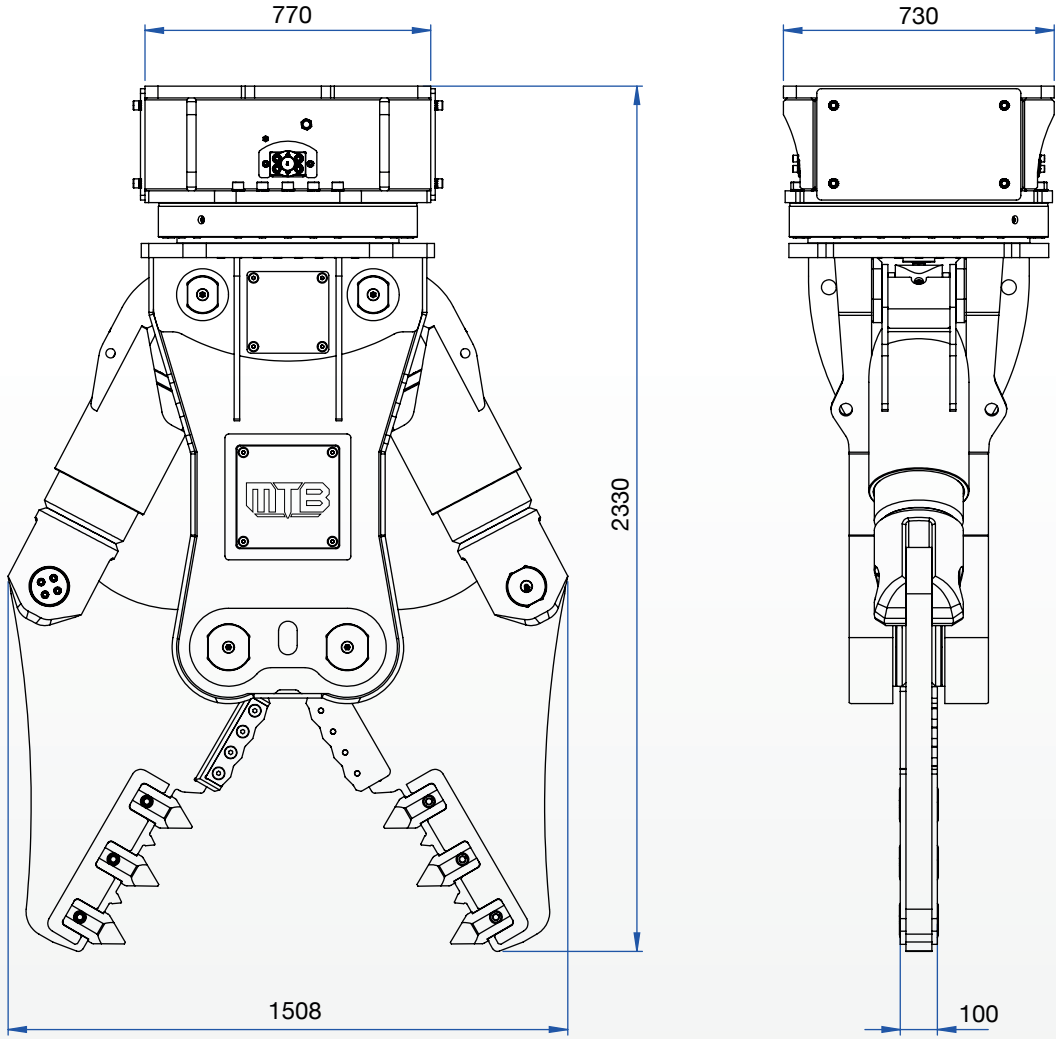
MTB Demolition Attachments are used for primary and secondary concrete demolition. There is a wide range of MTB Attachments for different demolition applications.

CRUSHER - CRS

The jaw design is suitable for cutting concrete and reinforced concrete structures as a primary demolition. Behind the jaws, there are steel blades to cut the steel bars inside of the concrete.



TECHNICAL INFORMATION



CRS 20

Working weight	kg	2425 - 2825
Oil flow (Cylinder)	lpm	200 - 250
Pressure (Cylinder)	bar	350
Oil flow (Rotation)	lpm	20 - 40
Pressure (Rotation)	bar	150 - 160
Crushing force (Jaw tip)	t	106
Cutting force	t	325
Jaw opening	mm	875
Jaw depth	mm	850
Cutter length	mm	180
overall length	mm	2330
Carrier weight	t	28 - 40

Rev. 050722



Factory

Bahçelievler OSB Mh. 11. Cd. No: 4A
59510 Kapaklı / Tekirdağ - TURKEY
+90 282 768 25 00

www.mtbbreakers.com - info@inanmakina.com



WARNING! The visuals and the information in this brochure are standard or optional depending on the version of the product.

İNAN MAKİNA A.Ş. saves the right to modify the values and designs shown in this brochure without notice.