



**inan makina**®  
SANAYİ VE TİCARET A.Ş.



CRUSHER MODEL

**CRS 04**



## MTB DEMOLITION ATTACHMENTS

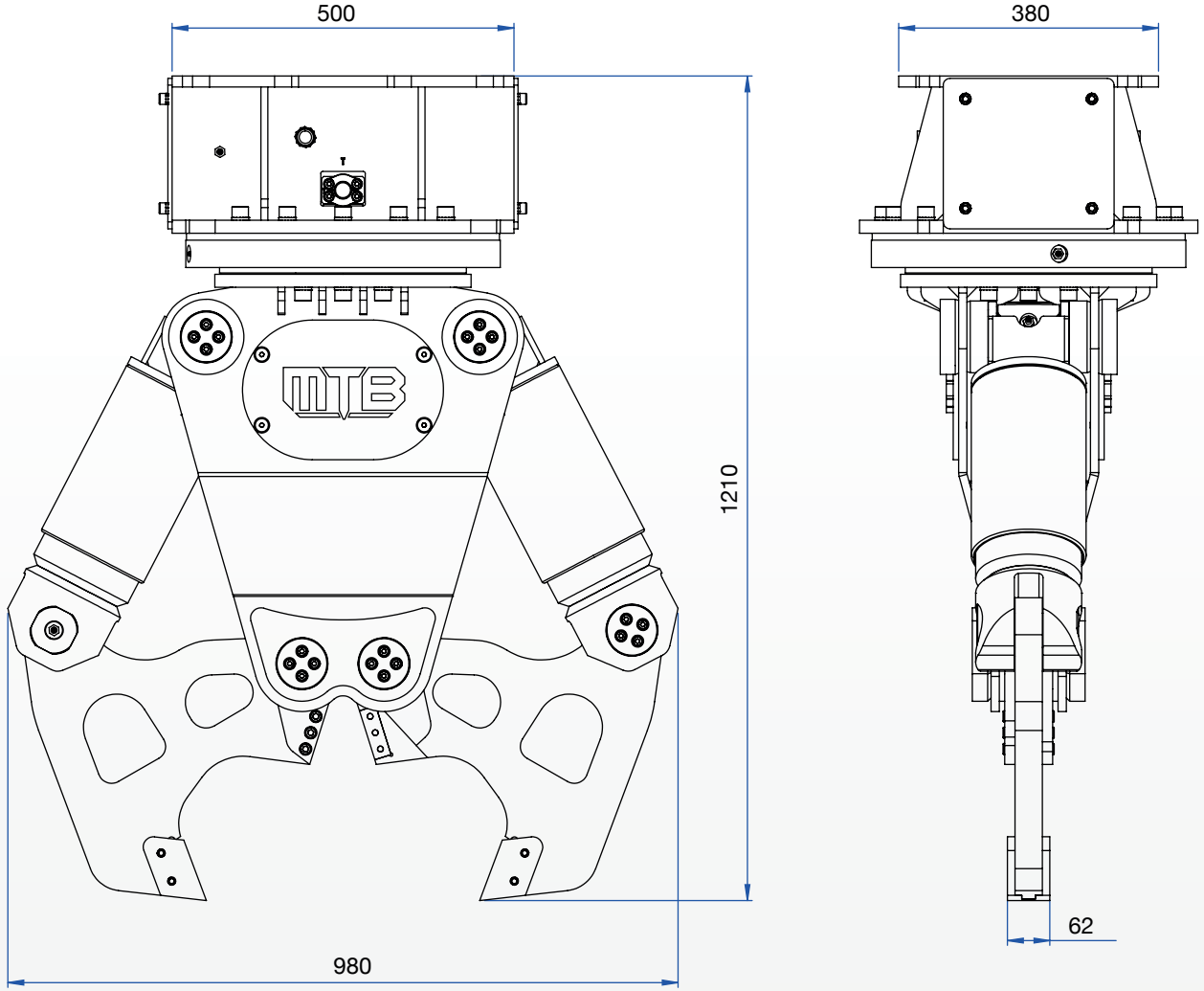
MTB Demolition Attachments are used for primary and secondary concrete demolition. There is a wide range of MTB Attachments for different demolition applications.

### CRUSHER - CRS

The jaw design is suitable for cutting concrete and reinforced concrete structures as a primary demolition. Behind the jaws, there are steel blades to cut the steel bars inside of the concrete.



# TECHNICAL INFORMATION



## CRS 04

<b>Working weight</b> kg	450 - 525
<b>Oil flow (Cylinder)</b> lpm	40 - 100
<b>Pressure (Cylinder)</b> bar	200
<b>Oil flow (Rotation)</b> lpm	10 - 20
<b>Pressure (Rotation)</b> bar	110 - 120
<b>Crushing force (Jaw tip)</b> t	42
<b>Cutting force</b> t	142
<b>Jaw opening</b> mm	400
<b>Jaw depth</b> mm	330
<b>Cutter length</b> mm	75
<b>overall length</b> mm	1210
<b>Carrier weight</b> t	5,5 - 11

Rev. 050722



### Factory

Bahçelievler OSB Mh. 11. Cd. No: 4A  
59510 Kapaklı / Tekirdağ - TURKEY  
+90 282 768 25 00

[www.mtbbreakers.com](http://www.mtbbreakers.com) - [info@inanmakina.com](mailto:info@inanmakina.com)



**WARNING!** The visuals and the information in this brochure are standard or optional depending on the version of the product.

İNAN MAKİNA A.Ş. saves the right to modify the values and designs shown in this brochure without notice.